

08010100 BATTERY DISCONNECT SWITCHES

300A • SPST • IP65 • M10 Studs • 360° rotation



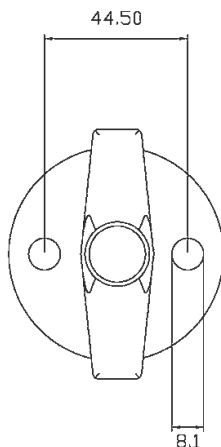
Description

Battery switch with a metal body, interchangeable with other products currently available on the market that share a similar footprint. The metal body of this battery switch is particularly robust and designed for use on agricultural machinery, construction equipment and commercial vehicles.

Features/Benefits

- 300A continuous current rating
- Fixed handle.
- Highly visible bright red handle.
- The “V contacts” position reduces risk of arcing
- Waterproof IP65

Mounting Diagram



Specifications

Max Operating Voltage:	24V DC
Max Continuous Current:	300A
Intermittent Current:	1000A at 10 sec
Operating Temp:	-40 °C to +80 °C
Ingress Protection:	IP65
Contacts:	Copper
Terminals:	M10 (brass)

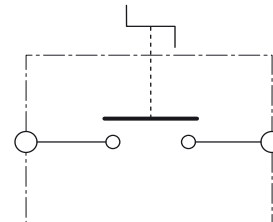
Applications

- Heavy trucks
- Commercial vehicles
- Buses
- Agricultural

Web Resources

Download 2D print and technical resources at:
littelfuse.com/ManualBatterySwitches

Electrical Diagram

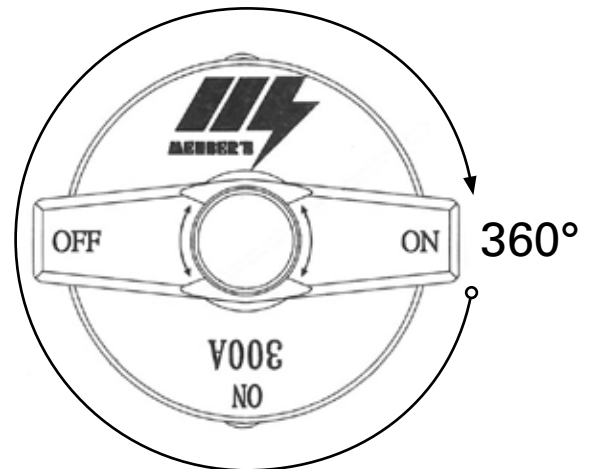
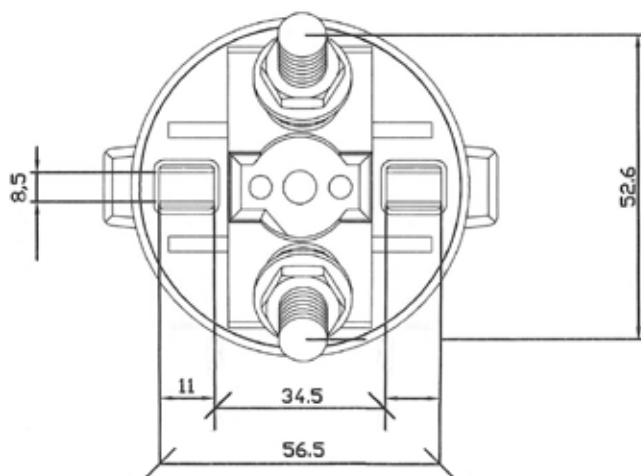
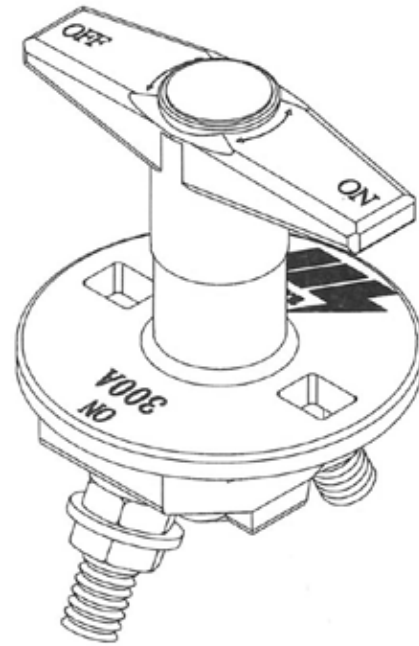
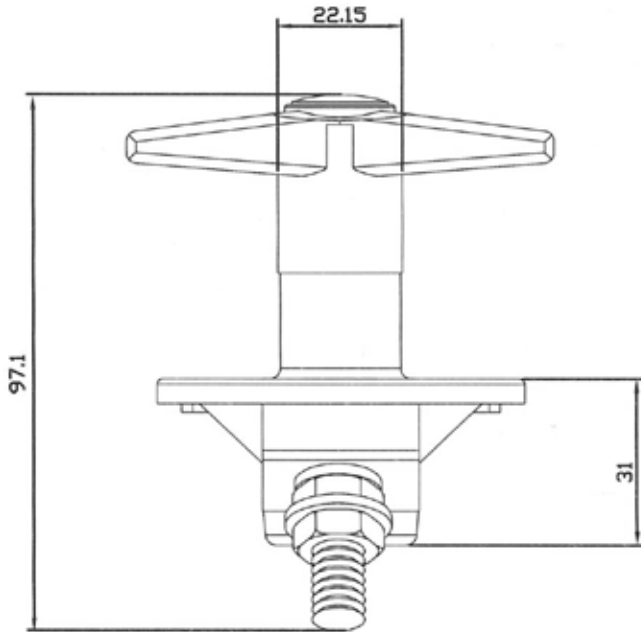


Ordering Information

PART NUMBER	VOLTAGE	AMPERAGE	CIRCUITRY	MOUNTING	INGRESS	TERMINAL NUTS	NOTES
08010100	12-24V DC	300A	SPST	Through-Hole	IP65	M10 brass	Fixed handle

08010100 BATTERY DISCONNECT SWITCHES

Dimensions in millimeters



Visit Littelfuse.com for the most up-to-date product information. Littelfuse reserves the right to make product changes, without notice. Material in this document is as accurate as known at the time of publication.